

# ONE TRUSTED NAME FOR ALL UNDERGROUND PIPING APPLICATIONS

**CORFIT**<sup>®</sup>

Underground Double Wall  
Corrugated Pipes



**CABLEFIT**<sup>™</sup>  
CABLE DUCTING PIPES



**CORFIT**<sup>®</sup>  
INSPECTION CHAMBER



**PEFit**<sup>®</sup>  
AQUA  
HDPE PIPING SYSTEMS



**CORFIT**<sup>®</sup>  
MANHOLE CHAMBERS



**DRAINFIT**<sup>™</sup>  
UPVC Underground  
Drainage Piping Systems



## STATE-OF-THE-ART MANUFACTURING UNITS



**HYDERABAD EST. 2021**



**JAIPUR EST. 2019**



**KOLHAPUR EST. 2012**



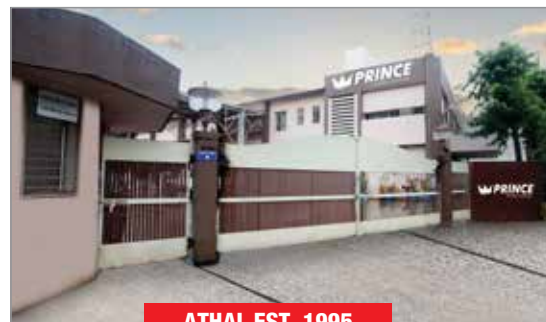
**CHENNAI EST. 2012**



**HARIDWAR EST. 2008**



**DADRA EST. 2000**



**ATHAL EST. 1995**

Prince Pipes provides the widest range of piping systems for all underground applications which are technologically advanced and fit for building a cleaner India. All our plants and work force are channelizing their efforts and energy towards achieving this mission making us the **ONE TRUSTED NAME** for all underground piping applications.

# Index

Corfit	02
Inspection chamber	04
Manhole chamber	06
Drainfit	08
PEfit Aqua	10
Cablefit	12

**CORFIT**



# CORFIT®

**Underground Double Wall  
Corrugated Pipes**

**A REVOLUTION TODAY FOR  
A CLEANER INDIA TOMORROW**



Pipes as per  
IS 16098-2



## Overview

Corfit DWC\* pipes and fittings are manufactured using HDPE polymer. These pipes are resistant to various types of gases & chemicals which are generated due to putrifaction of various ingredients flowing in the system.

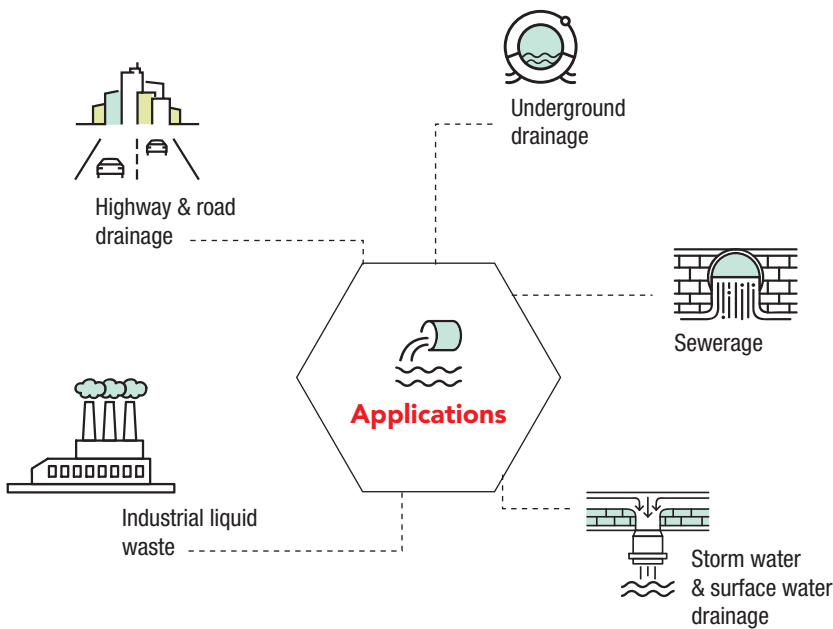
Corfit DWC\* Pipes are manufactured as per IS 16098 (Part-2), have a smooth internal surface and corrugated external surface. The corrugated external surface provides greater stiffness, withstands soil movements & takes higher loads (static & dynamic), whereas the internal surface helps in smooth flow of sewerage.

## Product Range

- **Pipes:** 100 to 1000 mm
- **Fittings:** 100 to 500 mm

## Standards

Pipes				Fittings		
Size (mm)	Class	Standard	End Connection	Size (mm)	Standard	End Connection
100 to 1000	SN4 & SN8	IS 16098 - Part 2	Rubber Ring Joint	100 to 500	-	Rubber Ring Joint

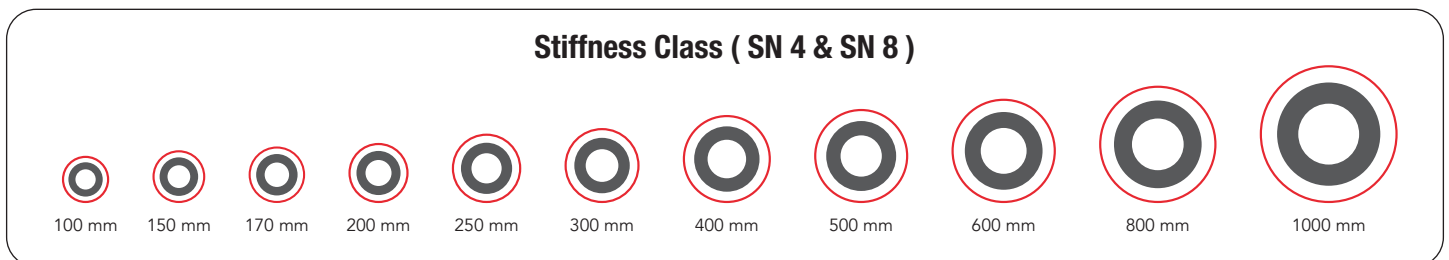


## Features and Benefits

- Easy to handle, transport and store
- Easy to install
- Superior performance than RCC Pipes
- Long life
- Available in long length of 6 meter, so there are minimum joints ensuring reduced chances of leakage
- Corrosion & abrasion resistant

\*Double Wall Corrugated

## Corfit DWC\* Pipes Range



## Corfit Fittings



## INSPECTION CHAMBERS



**CORFIT<sup>®</sup>**  
**INSPECTION CHAMBER**

**DRAINFIT<sup>™</sup>**  
**INSPECTION CHAMBER**

**NO MORE BLOCKAGE. ONLY FREE FLOWING SEWAGE.**



Made from HDPE material

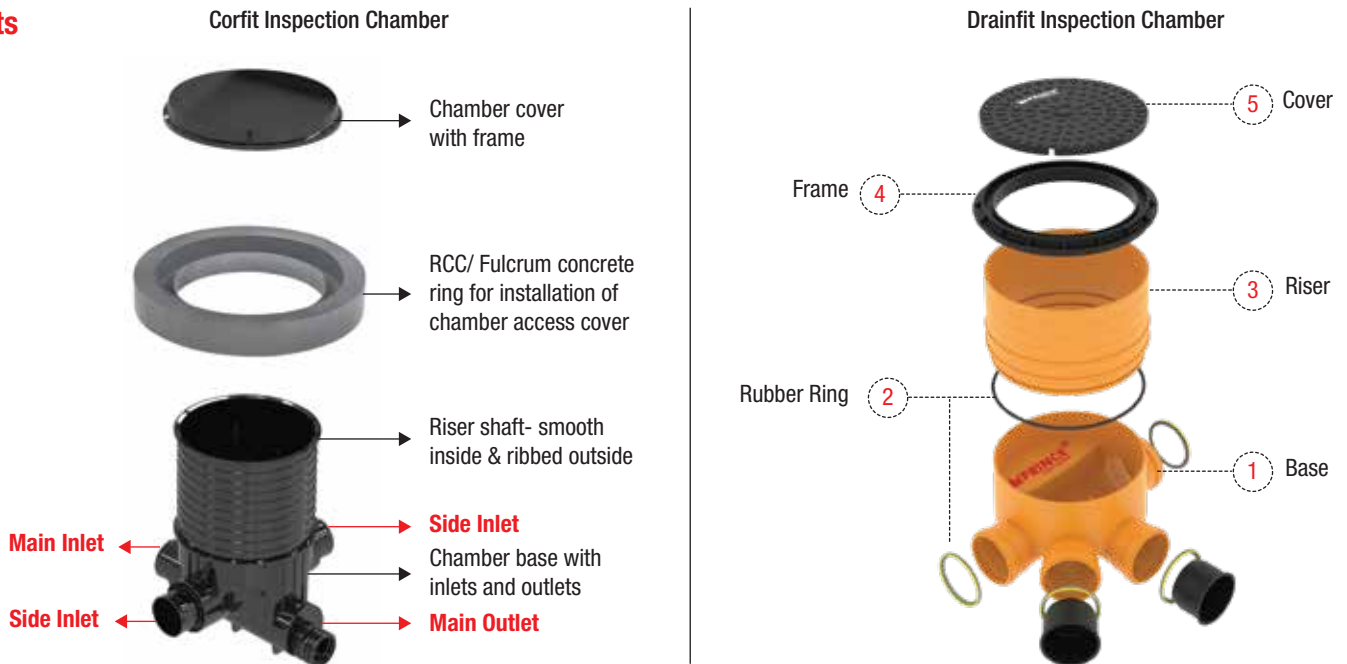


Made from Polypropylene material

## Overview

Integral to every underground drainage system, inspection chambers are resistant to acids, bases and organic compounds, so they can withstand aggressive substances like sulphuric acid and hydrogen sulphide which are found in every sewer. They are installed where multiple drainage lines are connected. And are used for inspection, maintenance and removal of debris which is generated through the flow of sewer waste. With over 33 years of expertise in underground piping solutions, Prince Pipes offers two kinds of inspection chambers - Corfit Inspection Chamber (made of HDPE) and Drainfit Inspection Chamber (made of polyethylene material) for residential as well as commercial sector.

## Parts



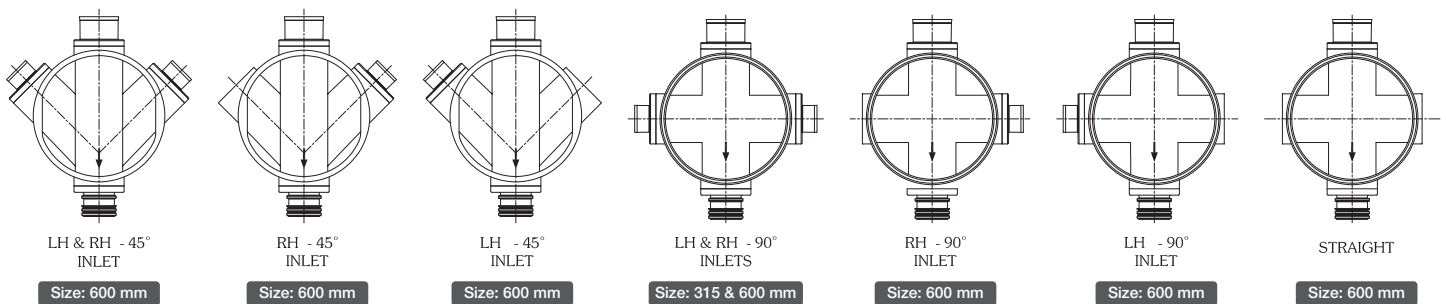
## Sizes

- **Corfit Inspection Chamber:** 315 mm & 600 mm
  - Invert depth for 600 mm diameter - 1.25 m
  - Invert depth for 315 mm diameter - 0.75 m
- **Drainfit Inspection Chamber:** 315 mm

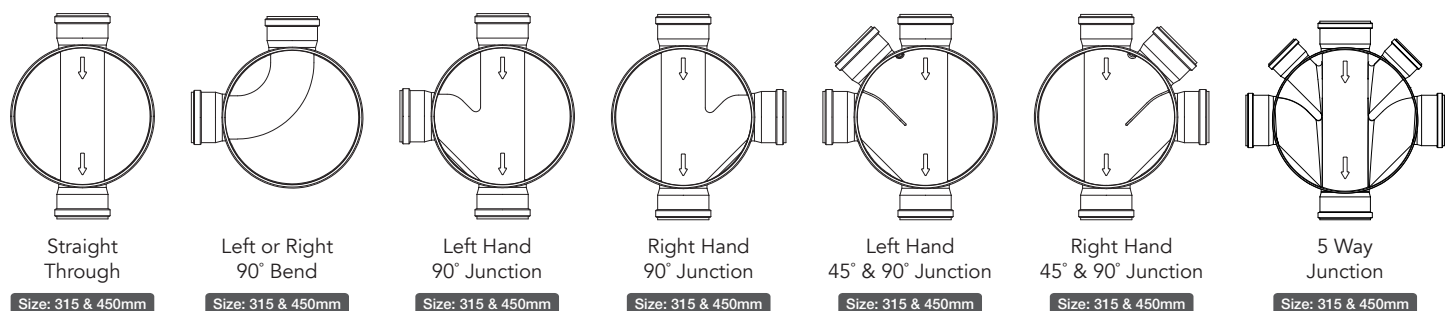
## Features and Benefits

- Single piece structure for easy installation and leakage-free joints
- Socket, spigot and side inlet connections with rubber sealing ring
- Resistant to floating due to ribs and collar provided on external surface of riser/shaft
- Abrasion resistant
- Smooth inside invert surface for high hydraulic capacity
- Chemical resistant
- About 2° slope provided for gravity flow in inspection chamber base
- Lightweight

## Types of Corfit Inspection Chambers



## Types of Drainfit Inspection Chambers



## MANHOLE CHAMBERS



**CORFIT<sup>®</sup>**  
**MANHOLE CHAMBERS**

**UPGRADING INDIA'S DRAINAGE SYSTEM  
TO MEET GLOBAL STANDARDS**





## Overview

Corfit Manhole and Inspection Chambers are made from PE (Polyethylene) material. Polyethylene material is resistant to acids, bases and organic compounds, thus Corfit Manhole and Inspection Chambers can withstand aggressive substances like sulphuric acid and hydrogen sulphide which are found in every sewer. These are integral to underground drainage systems and are installed where multiple drainage lines are connected. It is used for inspection, maintenance and removal of debris which is generated through the flow of sewer waste. These are used in sewerage/drainage networks. For maintenance of sewer manhole entry diameter were maintained for person entry and steps were provided to reach the person safely to base of the Manhole chamber.

## Standards

Manufactured under guidelines of BS EN 13598 1 & 2  
BS EN 13598-2 For Manhole Chamber.

## Features and benefits

- Socket, spigot and side inlet connections with rubber sealing ring
- Resistant to floating due to ribs and collar provided on external surface of riser/shaft
- Abrasion resistant
- Smooth inside invert surface for high hydraulic capacity
- Chemical resistant
- About 2° slope provided for gravity flow in Inspection Chamber base
- Light weight

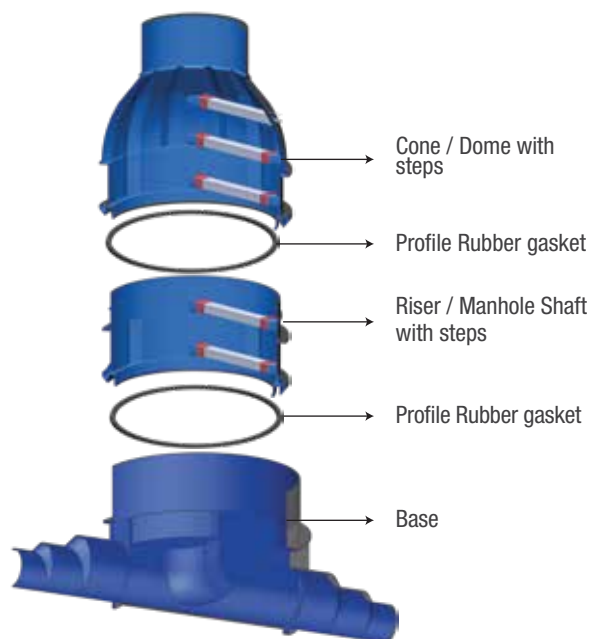
Manhole Part	Total Height (mm)	Effective Height / Invert Depth (mm)
Base	750	700
Riser	580	510
	315	250
Cone	1180	1110
	1330	1260
	1480	1410

**Note:** For height / invert depth adjustment, to use combination of Riser & Top Cone.

## Applications

Commercial & Municipal sewerage/drainage networks

## Manholes assembly consist of:



## Product Range

Item description	Main Inlet	Side Inlet	Main Outlet	Product Image	Type of Manhole Base
1000mm Base, 3Inlets and 1Multi outlet suitable for UPVC pipes	110, 160, 200, 250 & 315mm.	110, 160, 200, 250 & 315mm.	200, 250 & 315mm. 110mm, 160 & 200mm.		
1000mm Base, 2Inlets and 2Multi outlet suitable for UPVC pipes	200, 250 & 315mm.	110, 160, 200, 250 & 315mm.	200, 250 & 315mm. 110mm, 160 & 200mm.		
1000mm Base, 3Inlets and 1outlet suitable for DWC pipes	250 & 300mm	100, 150 & 200mm*	250 & 300mm		

**Note:** \*For connecting DWC Pipe use Rubber ring, Short length of UPVC pipe & Connector

**DRAINFIT**



# **DRAINFIT™**

**UPVC Underground  
Drainage Piping Systems**

**FOR UNDERGROUND DRAINAGE  
APPLICATIONS**



Pipes as per  
IS 15328



## Overview

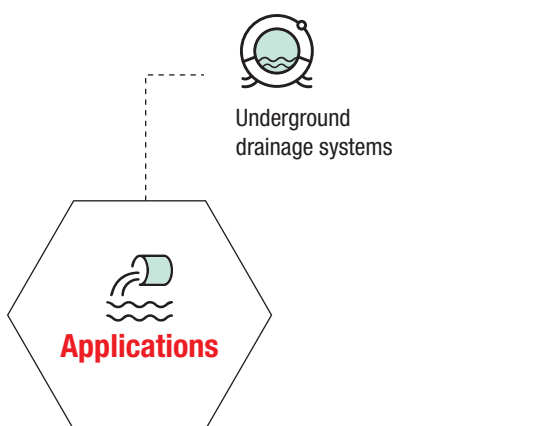
Drainfit Pipes are noticeably lighter and less expensive than existing PVC pipes/ concrete pipes. These pipes are interchangeable with solid wall pipes and are compatible with regular PVC fittings. We have introduced rubber and solvent fittings to offer a complete range of drainage piping systems.

## Product Range

- **Pipes:** 63 to 400 mm
- **Fittings:** 75, 110 & 160 mm

## Standards

Pipes			Fittings		
Size (mm)	Standard	End Connection	Size (mm)	Standard	End Connection
SN 2 - 160 to 400 SN 4 - 125 to 400 SN 8 - 63 to 400	IS 15328	Elastomeric Sealing Ring & Solvent Joint	75, 110 & 160	EN-1401-1	Elastomeric Sealing Ring & Solvent Joint



## Features and Benefits

- Leak-proof
- Long life
- Anti-rodent
- Light-weight and easy to transport
- Fast and easy installation, even in wet conditions
- Resistance to abrasion, smooth bore pipes reduce the risk of blockage
- Good impact resistance

## Dimensions

Nominal Size (Outside Diameter)	Mean Outside Diameter		Wall Thickness					
			SN2 (SDR 51)		SN4 (SDR 41)		SN8 (SDR 34)	
	Minimum	Maximum	Minimum	Maximum	Minimum	Maximum	Minimum	Maximum
(mm)	(mm)	(mm)	(mm)	(mm)	(mm)	(mm)	(mm)	(mm)
63	63.00	63.30	-	-	-	-	2.70	3.10
75	75.00	75.30	-	-	-	-	2.80	3.30
90	90.00	90.30	-	-	-	-	2.90	3.40
110	110.00	110.40	-	-	-	-	3.20	3.70
125	125.00	125.40	-	-	3.20	3.70	3.70	4.40
160	160.00	160.50	3.20	3.70	4.00	4.60	4.70	5.40
200	200.00	200.60	3.90	4.50	4.90	5.60	5.90	6.70
250	250.00	250.80	4.90	5.60	6.20	7.00	7.30	8.30
315	315.00	316.00	6.20	7.00	7.70	8.70	9.20	10.40
400	400.00	401.20	7.90	8.90	9.80	11.00	11.70	13.10

## Drainfit Fittings



Fittings available in both Rubber Ring and Solvent Joint options.

**PEFIT AQUA**



**PEFit<sup>®</sup>AQUA**  
HDPE PIPING SYSTEMS

**BRINGS WATER TO LIFE**



As per  
IS 4984:2016



## Overview

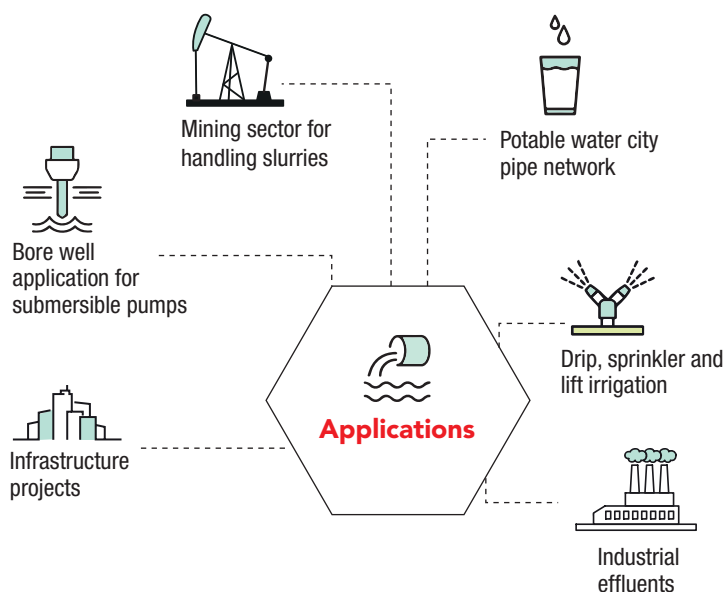
Polyethylene polymer is designed to meet the most demanding operating conditions in the process of transmission of various types of liquids. PRINCE PEFit Aqua is manufactured in our State-of-the-Art Manufacturing facilities using high quality virgin raw material.

## Product Range

- **Pipes:** 20 to 315mm • **Lenght:** 6 meter & 12 meter
- **Coil:** 20 to 110mm

## Standards

Pipes & Coil				
Size (mm)	Class	Standard	Working Pressure	End Connection
<b>Pipe:</b> 20 to 315 <b>Coil:</b> 20 to 110	PE63, PE80, PE100	IS 4984:2016	2KG/CM2 to 20KG/CM2 SDR41 to SDR6	Butt Welding, Electro Fusion



## Features and Benefits

- Ease of installation and excellent weldability
- Excellent Flexibility
- Low friction coefficient & higher flow capacity
- UV Resistance
- Recyclable
- Light in weight
- Chemical and corrosion resistance\*
- Resistance to ground movement and loads
- Good weather resistance
- Long Life

Standard dimension ratio (SDR) and corresponding wall thickness of pipes as per IS 4984:2016.

SDR	SDR 41	SDR 33	SDR 26	SDR 21	SDR 17	SDR 13.6	SDR 11	SDR 9	SDR 7.4	SDR 6														
<b>Nominal Pressure (PN)</b>																								
PE 63	PN 2	PN 2.5	PN 3.2	PN 4	PN 5	PN 6	PN 8	-	-	-														
PE 80	PN 2.5	PN 3.2	PN 4	PN 5	PN 6	PN 8	PN 10	PN 12.5	PN 16	PN 20														
PE 100	PN 3	PN 4	PN 5	PN 6	PN 8	PN 10	PN 12.5	PN 16	PN 20	-														
<b>Wall Thickness (mm)</b>																								
Nominal OD (mm)	min	max	min	max	min	max	min	max	min	max	min	max	min	max	min	max	min	max	min	max				
20													1.9	2.2	2.3	2.6	2.7	3.1	3.4	3.8				
25													1.9	2.2	2.3	2.6	2.8	3.2	3.4	3.8	4.2	4.7		
32													1.9	2.2	2.4	2.7	2.9	3.3	3.6	4.1	4.4	4.9	5.4	6.0
40								1.9	2.2	2.4	2.7	3.0	3.4	3.7	4.2	4.5	5.1	5.4	6.0	6.7	7.5			
50					2.0	2.3	2.4	2.7	3.0	3.4	3.7	4.2	4.6	5.2	5.6	6.3	6.8	7.6	8.4	9.3				
63					2.5	2.9	3.0	3.4	3.7	4.2	4.7	5.3	5.8	6.5	7.0	7.8	8.6	9.6	10.5	11.7				
75	1.9	2.2	2.3	2.6	2.9	3.3	3.6	4.1	4.5	5.1	5.6	6.3	6.9	7.7	8.4	9.3	10.2	11.3	12.5	13.9				
90	2.2	2.5	2.8	3.2	3.5	4.0	4.3	4.8	5.3	5.9	6.7	7.5	8.2	9.1	10.0	11.1	12.2	13.5	15.0	16.6				
110	2.7	3.1	3.4	3.8	4.3	4.8	5.9	6.6	6.5	7.3	8.1	9.0	10.0	11.1	12.3	13.6	14.9	16.5	18.4	20.3				
125	3.1	3.5	3.8	4.3	4.8	5.4	6.0	6.7	7.4	8.2	9.2	10.2	11.4	12.7	13.9	15.4	16.9	18.7	20.9	23.1				
140	3.5	4.0	4.3	4.8	5.4	6.0	6.7	7.5	8.3	9.2	10.3	11.4	12.8	14.2	15.6	17.3	19.0	21.0	23.4	25.8				
160	3.9	4.4	4.9	5.5	6.2	6.9	7.7	8.6	9.5	10.6	11.8	13.1	14.6	16.2	17.8	19.7	21.7	24.0	26.7	29.5				
180	4.4	4.9	5.5	6.2	7.0	7.8	8.6	9.6	10.6	11.8	13.3	14.7	16.4	18.1	20.0	22.1	24.4	26.9	30.0	33.1				
200	4.9	5.5	6.1	6.8	7.7	8.6	9.6	10.7	11.8	13.1	14.7	16.3	18.2	20.1	22.3	24.6	27.1	29.9	33.4	36.8				
225	5.5	6.2	6.9	7.7	8.7	9.7	10.8	12.0	13.3	14.7	16.6	18.4	20.5	22.7	25.0	27.6	30.5	33.7	37.5	41.4				
250	6.1	6.8	7.6	8.5	9.7	10.8	12.0	13.3	14.7	16.3	18.4	20.3	22.8	25.2	27.8	30.7	33.8	37.3	41.7	46.0				
280	6.9	7.7	8.5	9.5	10.8	12.0	13.4	14.8	16.5	18.3	20.6	22.8	25.5	28.2	31.2	34.4	37.9	41.8	46.7	51.5				
315	7.7	8.6	9.6	10.7	12.2	13.5	15.0	16.6	18.6	20.6	23.2	25.6	28.7	31.7	35.0	38.6	42.6	47.0	52.5	57.9				

\*The chemical resistance chart can be provided on request.

**CABLEFIT**



# **CABLEFIT™**

**CABLE DUCTING PIPES**

**PROTECT THE CABLES THAT  
POWER YOUR PROJECT**



Pipes as per  
IS 16205-24



## Overview

Infrastructure in India is seeing new avenues on daily basis. With multiple innovations happening across sectors and wiring being involved in almost all sectors, cable ducting becomes an essential investment in protecting wires across applications.

Introducing PRINCE CABLEFIT, made from High Density Polyethylene (HDPE) which provides long-term strength, chemical resistance and prevention of stress cracks. Its unique double-walled construction makes it light-weight, gives excellent mechanical properties like high ring stiffness and better impact strength. The smooth inner wall facilitates easy insertion of ducts and cables.

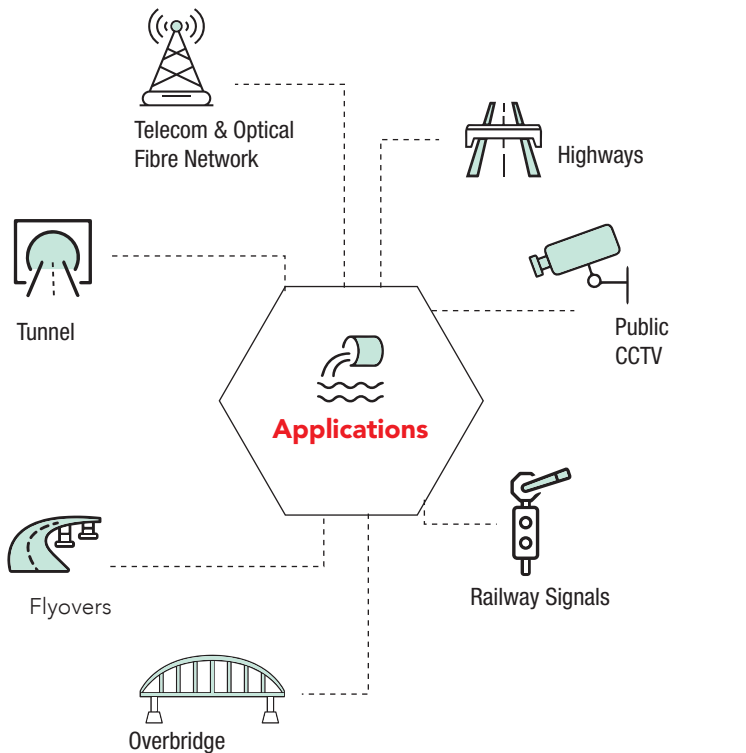
These pipes are manufactured using ultra-modern hi-tech machines which results in excellent finished product. It is manufactured as per standard IS 16205 – Part 24. Prince Cablefit is available in class 450N and 750N\*.

## Product Range

- **Pipes (OD):** 50 mm, 63 mm, 75 mm, 90 mm, 110 mm, 120 mm, 160 mm.
- **Fittings:** 50 mm, 63 mm, 75 mm, 90 mm.
  - Standard length of pipes is 6 m for sizes 90 mm - 160 mm.
  - For sizes 50 mm, 63 mm & 75 mm, it will be available in coil of 100 m.

## Standards

Pipes				Fittings	
Size (mm)	Class	Standard	End Connection	Size (mm)	End Connection
<b>Coil Form</b> - 50mm to 75mm	450N*	IS 16205 Part 24	With or Without Rubber Ring	50mm to 90mm	With & Without Rubber Ring
<b>Standard Length Pipes</b> - 90mm to 160mm					



## Features and Benefits

- Light-weight makes it easy to assemble and transport
- Smooth internal surface makes it easy to pull cables through the pipe
- Optimum mechanical and physical properties
- Tough outer surface makes it easy to resist high impacts
- Low-maintenance and long-lasting
- Built-in space capacity for future expansion
- Reduces cable over cable damage

## Fittings



Coupler



Elbow



Tee

\*Class 750N will be available on request.

# Prince Zero Defect Network



## PRINCE PIPES AND FITTINGS LIMITED

E: [info@princepipes.com](mailto:info@princepipes.com) | W: [www.princepipes.com](http://www.princepipes.com)

Branch Offices: Ahmedabad | Chennai | Delhi | Hyderabad | Kolkata | Pune

**Toll Free: 1800 267 7555**

Please Call between 10 am to 6 pm

Follow us on:    

